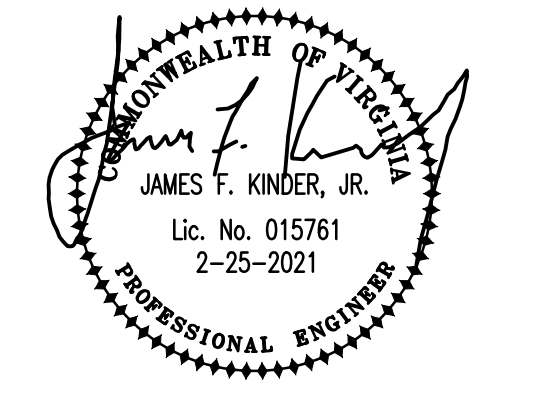


INTERACTIVE DESIGN GROUP
301 6TH STREET SW
ROANOKE, VA 24016
P. 540.342.7534 F. 540.342.7536



**DAY & KINDER
CONSULTING
ENGINEERS, PLLC**

3959 ELECTRIC ROAD
SUITE 348
ROANOKE, VIRGINIA 24018
PHONE: 540 774-5706
EMAIL: JAY@DAYANDKINDER.COM
COMM. NO. 21-026

NO.	REVISIONS	DATE

NEW CONSTRUCTION FOR



**BMW
ROANOKE
SERVICE
FACILITY**

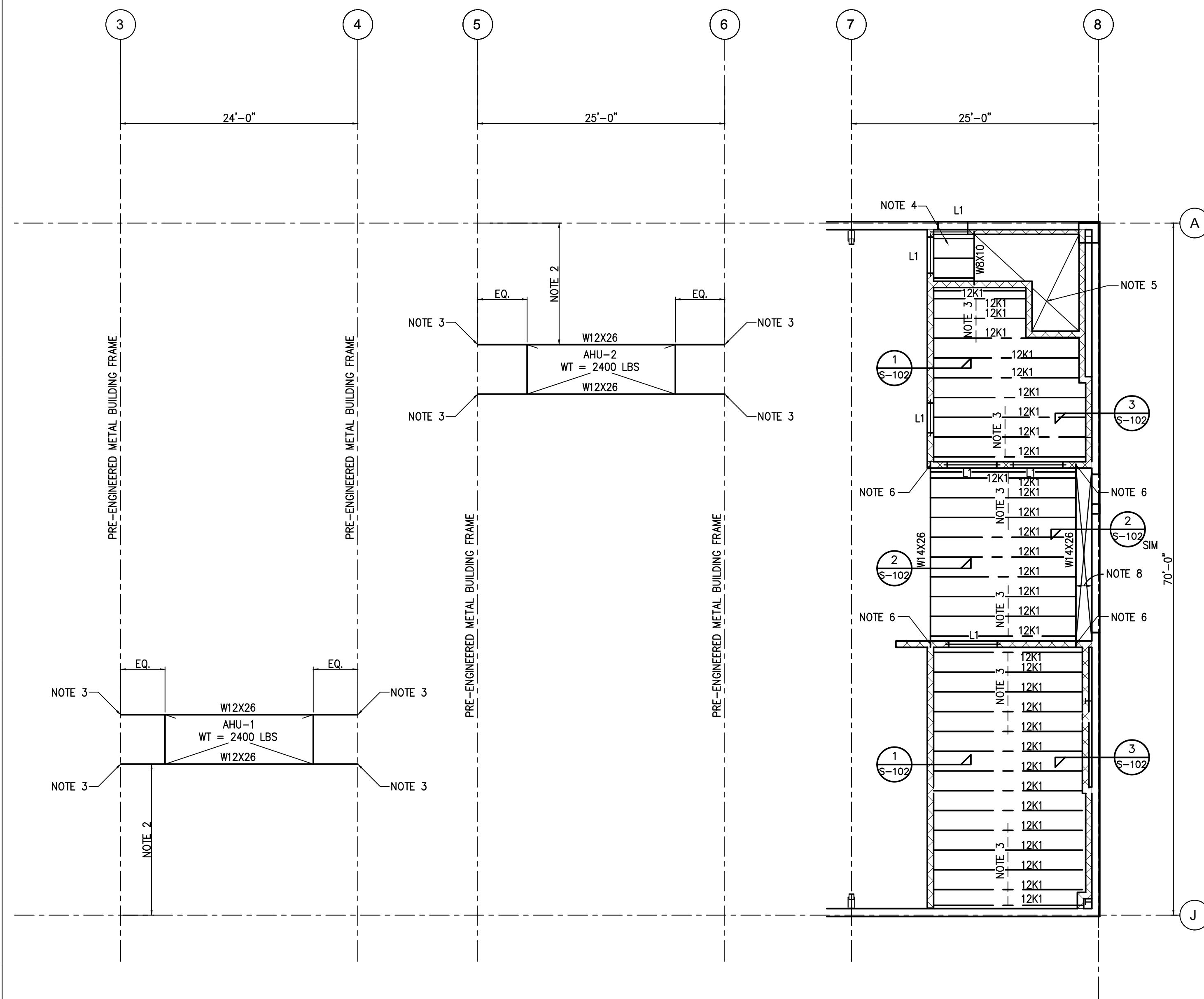
2032 PETERS CREEK RD
ROANOKE, VA 24017

DATE	FEB. 25. 2021
DRAWN	BMB
CHECKED	JFK
JOB	20-059

**MEZZANINE
FLOOR
FRAMING
PLAN**

SHEET

S-102



ROOF TOP UNIT SUPPORT PLAN

SCALE: 1/8" = 1'-0"

ROOF TOP UNIT SUPPORT PLAN NOTES:

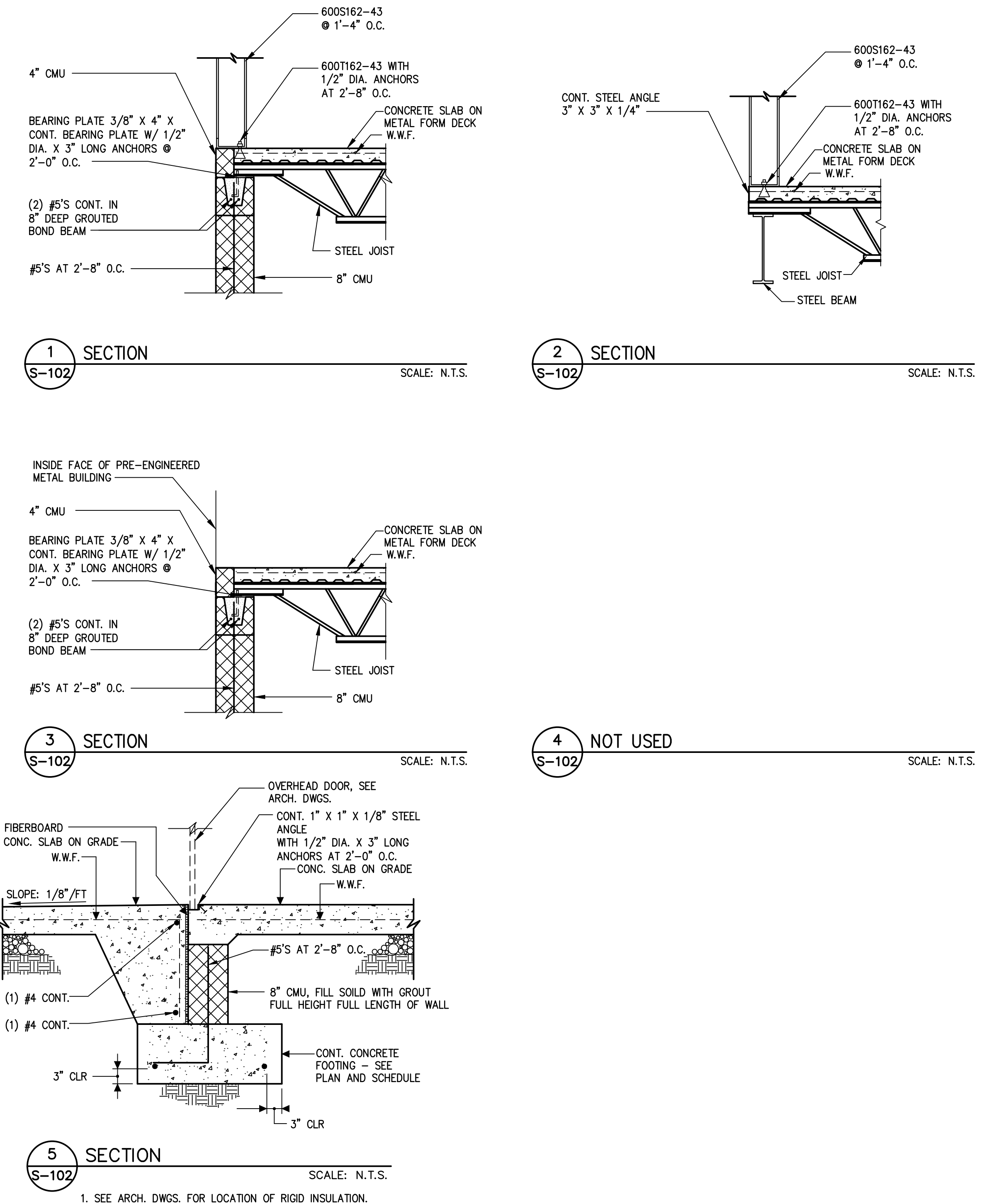
- SEE SHEET S-100 FOR GENERAL STRUCTURAL NOTES, SCHEDULES, AND TYPICAL DETAILS.
- G.C. COORDINATE LOCATION OF ROOF TOP UNITS ON ROOF SYSTEM.
- BOLT W12X26 TO EXISTING PRE-ENGINEERED BUILDING FRAME. BEAM REACTION = 8.0 KIPS.

MEZZANINE FLOOR FRAMING PLAN

SCALE: 1/8" = 1'-0"

MEZZANINE FLOOR FRAMING PLAN NOTES:

- SEE SHEET S-100 FOR GENERAL STRUCTURAL NOTES, SCHEDULES, AND TYPICAL DETAILS.
- TYPICAL FLOOR CONSTRUCTION SHALL BE 3" CONCRETE REINFORCED WITH (1) LAYER OF 6X6 W1.4 X W1.4 W.W.F. SUPPORTED BY 9/16" X 28 GAUGE METAL FORM DECK SUPPORTED BY 12K1 JOISTS SPACED AT 2'-0" O.C. MAXIMUM. FINISH MEZZANINE FLOOR ELEVATION SHALL BE (+11'-1") ABOVE REFERENCE ELEVATION 0'-0".
- STEEL JOIST BRIDGING EXACT SIZE AND LOCATION BY JOIST MANUFACTURER.
- PROVIDE 2.5V1 JOIST SUBSTITUTES SPACED AT 2'-0" O.C.
- STAIR OPENING.
- FILL ALL 8" CMU SOLID WITH 3000 PSI GROUT FULL HEIGHT BENEATH BEAM BEARING PLATE 3/8" X 6" X 6".
- LINTE L1: (2) 5" X 3 1/2" X 3/8" ANGLES LLV. PROVIDE MINIMUM OF 8" OF BEARING AT EACH END OF EACH LINTEL.
- G.C. COORDINATE BEAM LOCATION WITH REQUIREMENTS OF OVERHEAD DOOR.



1. SEE ARCH. DWGS. FOR LOCATION OF RIGID INSULATION.